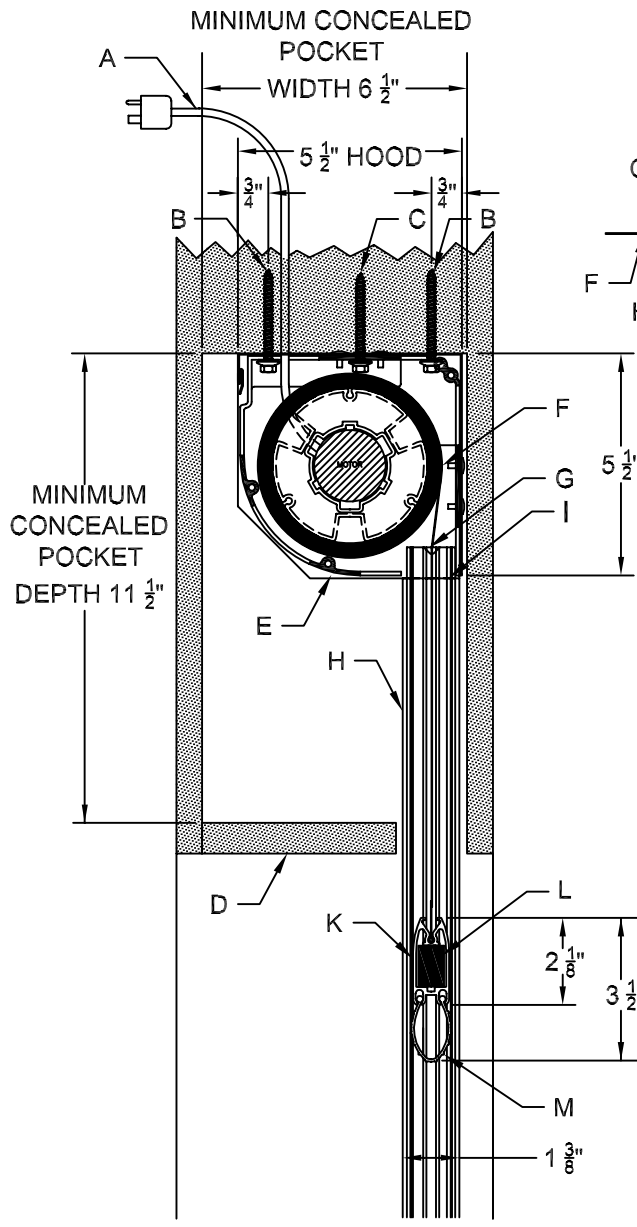


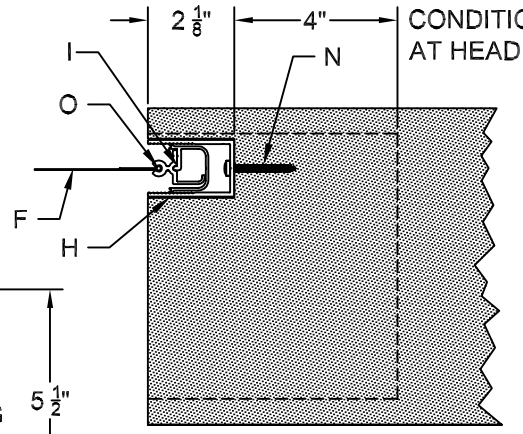
# MIRAGE MOTORIZED SCREEN 5 1/2" HOOD RECESSED & CONCEALED

## DETAIL AA



NOTE: REMOVABLE METAL HOOD UNIT COVER NOT USED WITH THIS APPLICATION.

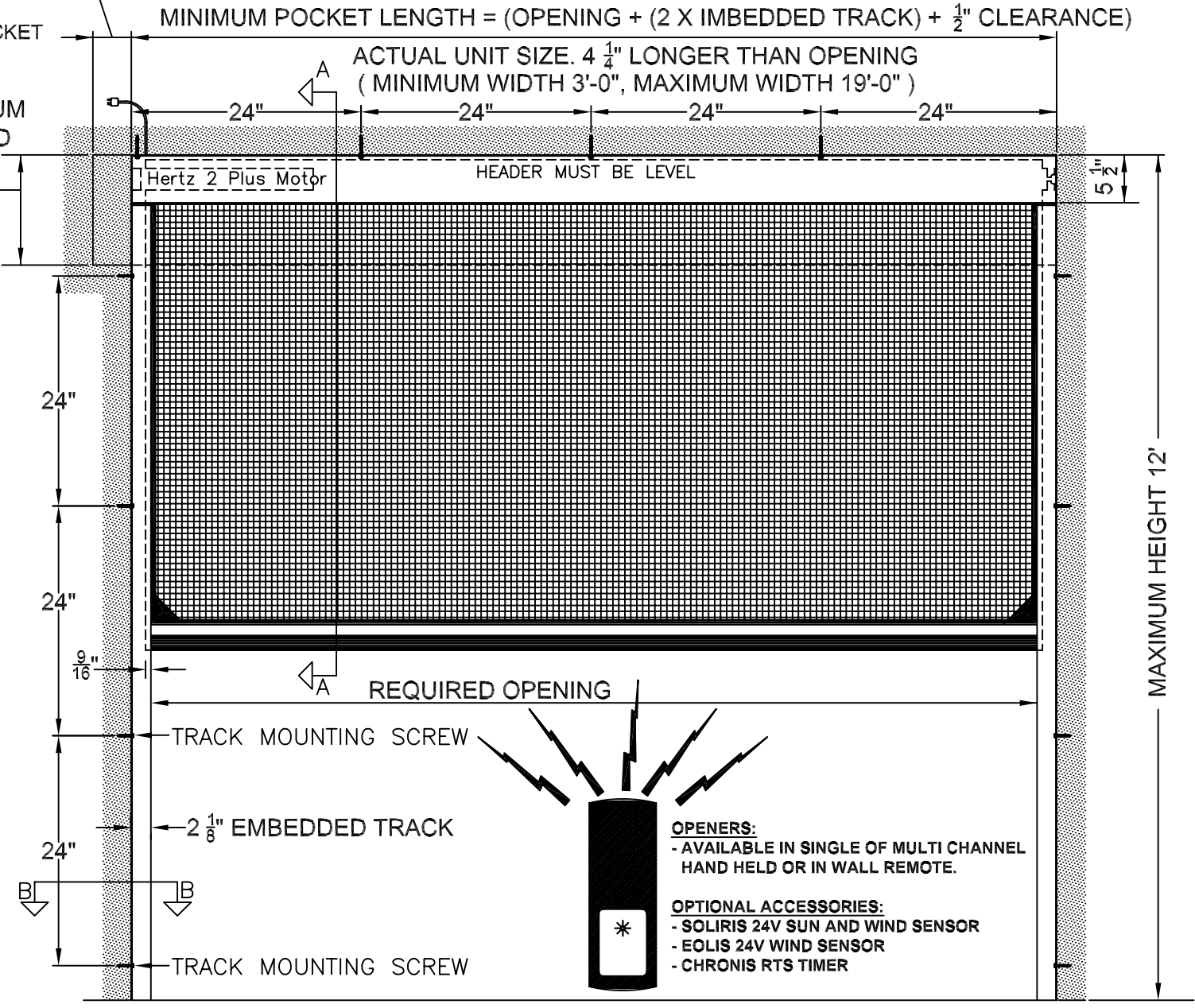
## DETAIL BB



- A) 110 V. 6' LEAD C/W PLUG, MOTOR & PLUG CAN BE POSITIONED AT EITHER END OF SCREEN UNIT.
- B) DOUBLE INTERMEDIATE SCREWS, 24" SPACING (NOT PROVIDED 2" X #12 PAN OR HEX HEAD)
- C) SINGLE END MOUNTING SCREW, LOCATED BETWEEN RIVETS OF CAST END CAP. SCREWS (NOT PROVIDED) RECOMMEND 2" X #12 PAN OR HEX HEAD
- D) REMOVABLE COVER PANEL (NOT PROVIDED)
- E) CAST END CAP
- F) SCREEN MESH
- G) CHAMFERED ENTRANCE TO SCREEN TRACK
- H) RECESSED TRACK HOUSING
- I) RECESSED TRACK ASSEMBLY (ADJUSTABLE WITHIN TRACK HOUSING)
- K) WEIGHT BAR
- L) PROBE
- M) BOTTOM SEAL
- N) SIDE TRACK MOUNTING SCREW (NOT PROVIDED) RECOMMEND 2" X #12 PAN HEAD
- O) SCREEN RETENTION ZIPPER

PROVIDE ADDITIONAL 4" MINIMUM CONCEALED POCKET ON MOTOR END TO ALLOW FOR FUTURE REMOVAL OF HOUSING UNIT

RECESSED ROLLER, TRACKS, AND HOOD



MAXIMUM OF 2% SLOPE CAN BE ACCOMMODATE AT GROUND LEVEL

NOTE: BUILDING GENERAL CONTRACTOR IS RESPONSIBLE FOR PROVIDING ADEQUATE BACKING IN WALLS AND HEADERS TO AFFIX SCREEN UNITS TO THE BUILDING



Product Line...	PROJECT: <b>STANDARD SCREEN APPLICATION &amp; DETAILS</b>	LOCATION: <b>N/A</b>	<b>MIRAGE MOTORIZED SCREEN</b>		<b>MOUNTING: RECESSED ROLLER &amp; TRACK</b>		<b>Motorized Screen 5 1/2" Hood Recessed</b>
	CLIENT: <b>N/A</b>		DRAWN -	PROJECT No	YEAR / No	1	DRAWING No
			DESIGNED -	CHECKED	N/A	DATE	ISSUED FOR REVIEW
			SCALE	CHECKED	DATE	No	ISSUED - REVISION
							<b>RECESSED 5.5 Modify</b>